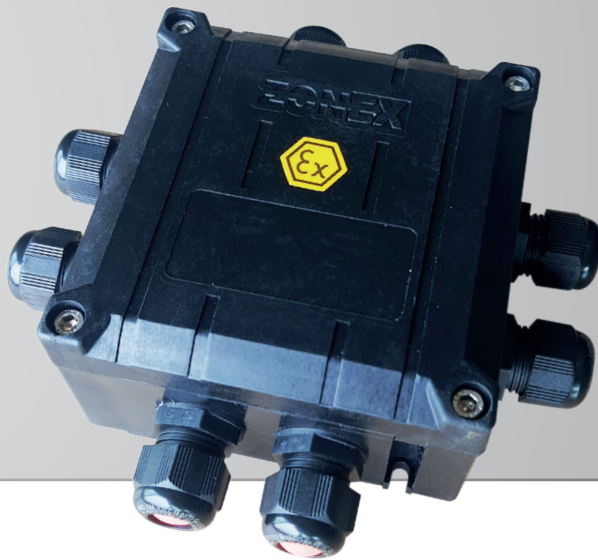


ZNJP.X

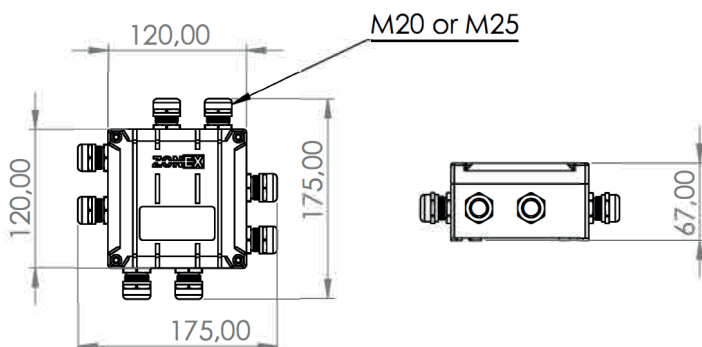
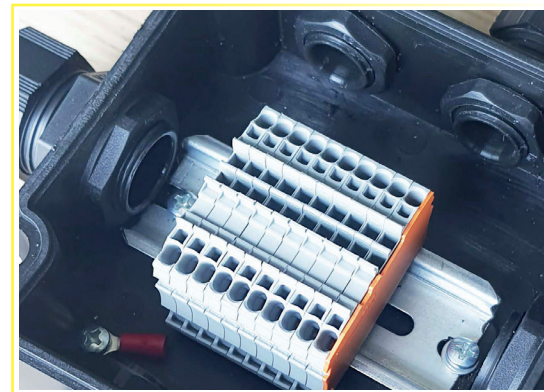
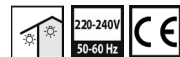


Product	GRP Junction Boxes
Certification	SCA 24 ATEX 227X
Marking	II 2G Ex eb IICT6 Gb
	II 2D Ex tb IIIC Db
IP	IP 66
Ambiant Temp.	-25 °C up to +55 °C
Standarts	EN60079-0: 2018; EN60079-7: 2015; EN60079-31: 2014
Cable Entries	2-8, M20 or M25
Body	Glass Reinforced Polyamide
Gaskets	Silicone seal on cover
Color	Black
Rated Voltage	Max. 500V
Rated current	12A-20A-25A
Application	Oil refineries, Chemical and petrochemical plants, Boiler rooms etc.

ZONE 1-2 / 21-22

IP 66

$-20\text{ °C} < T_a < +55\text{ °C}$



ZNJP.120.□□

Gland Size
• M20, M25

Number of Gland
• 1, 2, 3 7, 8.