

ZNG.X

E27 Lamp
Led String Lamp



ATEX



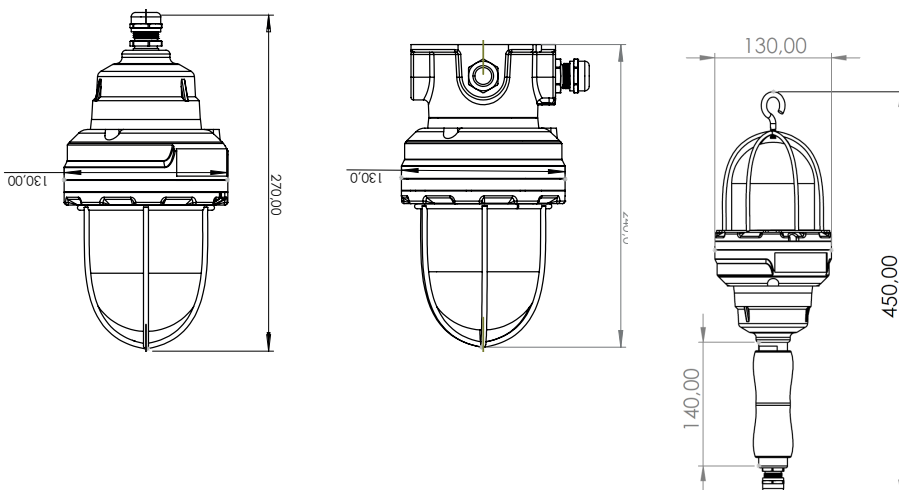
ZONE 1-2 / 21-22

IP 66

$-20\text{ }^{\circ}\text{C} < T_a < +45\text{ }^{\circ}\text{C}$



Product	Aluminium Body Globe Lamp
Certification	SCA 24 ATEX 256X
Marking	II 2G Ex db IIB + H2 T4 Gb (for ZNG.C-X)
	II 2G Ex db IIB T4 Gb (for ZNG.B-X, ZNG.P-X)
	II 2D Ex tb IIIC T135°C Db (for ZNG.C-X, ZNG.B-X, ZNG.P-X)
IP	IP 66
Ambiant Temp.	-20 °C up to +45 °C
Standarts	EN60079-0: 2018; EN60079-1: 2014; EN60079-31: 2014
Cable Entries	4 x 1/2" (for ZNG.C-X)
Body	Low Cooper Aluminium Alloy
Difusser	Shock and high temperature tempered glass
Gaskets	Silicone oring on covers
Paint	Electrostatic Powder Coat
Circuit	E27 Lampholder, Led driver
Rated Voltage	220/240V
Frequency	47/63 Hz
Application	Oil refineries, Chemical and petrochemical plants, Boiler rooms etc.



ZNG.

E - E27 Lampholder (Max.100w)
L - LED (30w Led String)

Type

- C - Ceiling Mount Type
- B - Piping Mount Type
- P - Portable Type