

Alluminium Body  
Low Cooper



2 x 3/4"  
Cable entries

# ZNB.X

## Motor Protection Switch



### Product

### Certification

### Marking

### IP

### Ambiant Temp.

### Standarts

### Cable Entries

### Body

### Gaskets

### Paint

### Rated Voltage

### Frequency

### Application

### Protection Range

Aluminium Body Junction Boxes

SCA 20 ATEX 068 X

II 2G Ex db IIB+H<sub>2</sub> T6 Gb

II 2D Ex tb IIIC T85°C Db

IP 65-66

-20 °C up to +55 °C

EN60079-0: 2018; EN60079-1: 2014; EN60079-31: 2014

2x3/4 - 2x1/2 Npt.

Low Cooper Aluminium Alloy

NBR o-ring on Body

Electrostatic Powder Coat

220-380V

50-60 Hz

Oil refineries, Chemical and petrochemical plants, Boiler rooms etc.

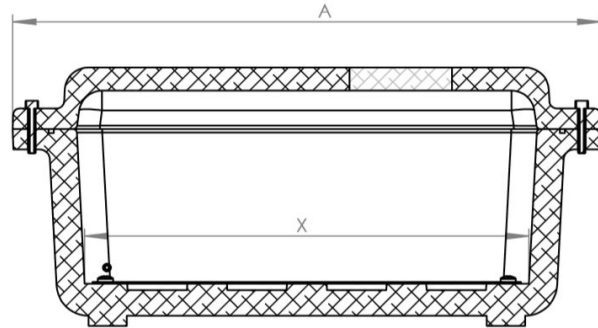
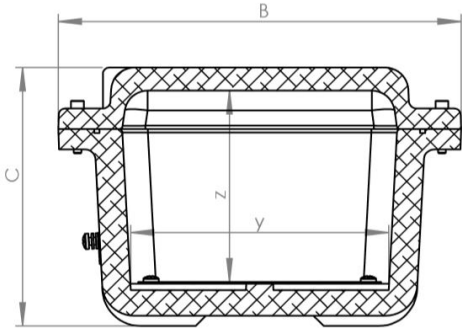
0,63 - 10A

ZONE 1-2 / 21-22

IP 65-66

-20 °C < T<sub>a</sub> < +55 °C

# DIMENSIONAL DRAWING



**External**

**Internal**

	A	B	C	x	y	z	Plate
ZNB-2	275	200	143	200	123	104	190x113

**Current**

**Order Code**

0,63-1 A

**102501**

1-1.6 A

**102502**

1,6-2,5 A

**102503**

2,5-4 A

**102504**

4-6 A

**102505**

6-10 A

**102506**

