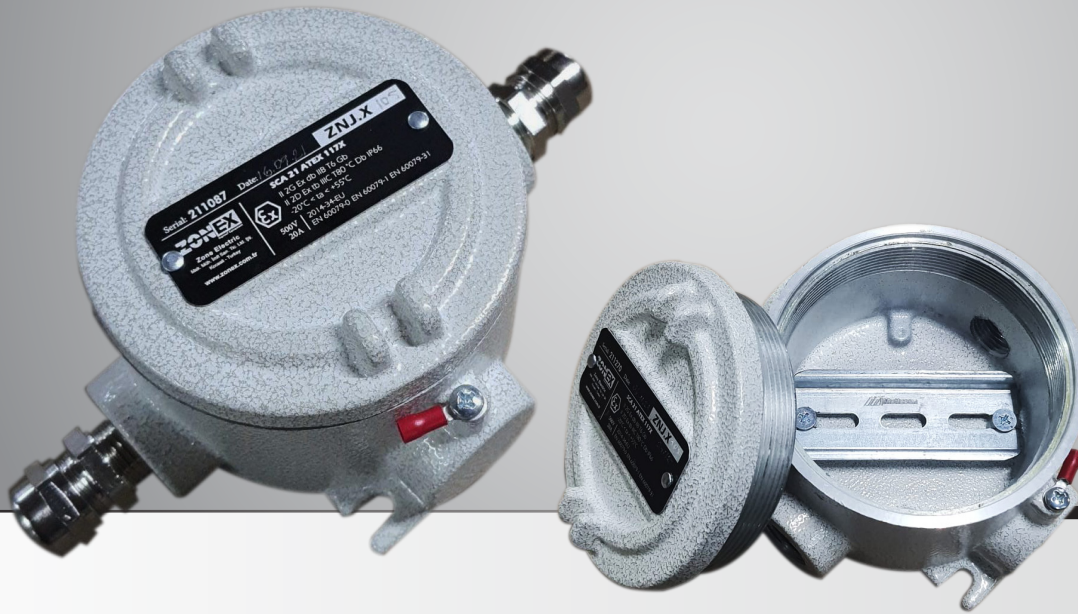


ZNJ.X

Aluminium Body
Low Cooper

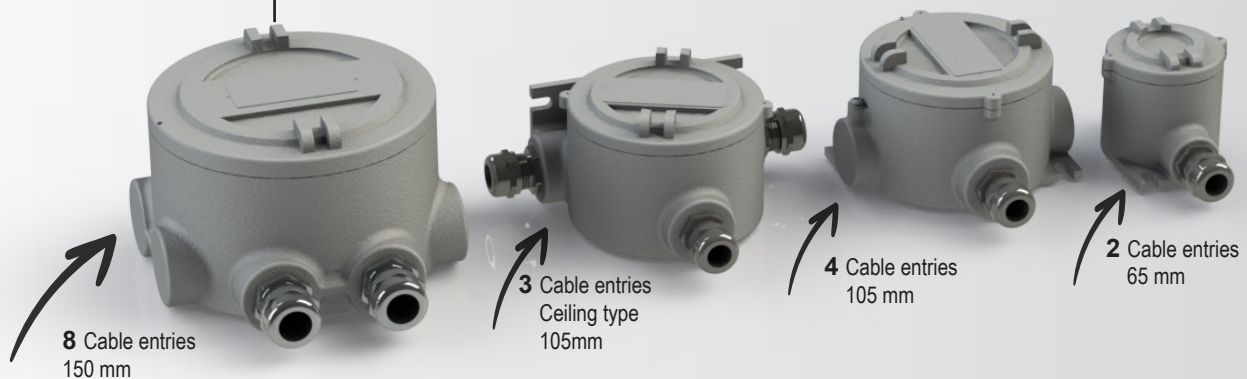


ZONE 1-2 / 21-22

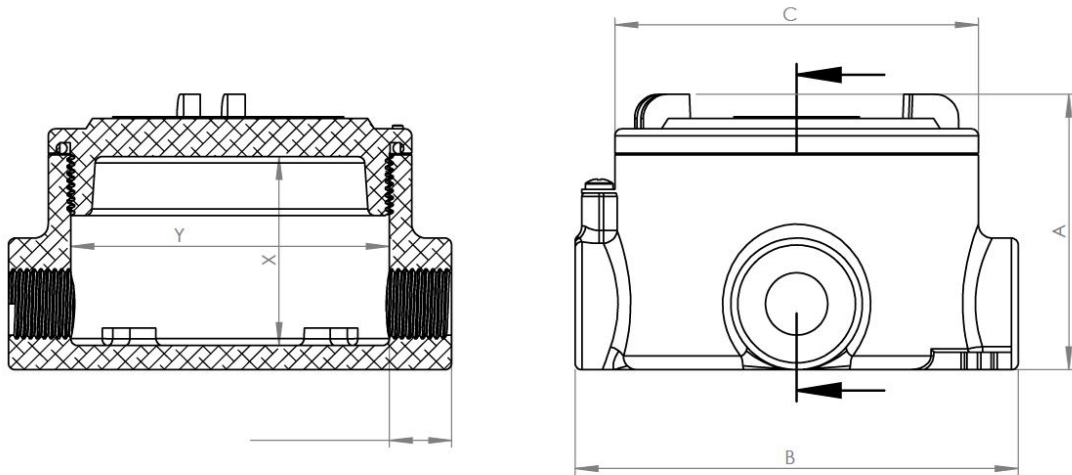
IP 65

$-25\text{ }^{\circ}\text{C} < T_a < +55\text{ }^{\circ}\text{C}$

Product	Aluminium Body Junction Boxes
Certification	SCA 21 ATEX 117X
Marking	II 2G Ex db IIB T6 Gb II 2D Ex tb IIIC T80°C Db
IP	IP 66
Ambiant Temp.	-25 °C up to +55 °C
Standarts	EN60079-0: 2018; EN60079-1: 2014; EN60079-31: 2014
Cable Entries	1/2" or 3/4"
Body	Low Cooper Aluminium Alloy
Gaskets	Slicon Oring
Paint	Electrostatic Powder Coat
Rated Voltage	24-380V
Frequency	50/60 Hz
Application	Oil refineries, Chemical and petrochemical plants, Boiler rooms etc.



DIMENSIONAL DRAWING



	External			Internal	
	A	B	C	X	Y
ZNJ-65.X	69	92	65	48	52
ZNJ-105.X	79	128	105	54.5	90
ZNJ-105T.X	79	125	105	54.5	90
ZNJ-150.X	106	160	150	77	124

ZNJ-

Diameter:
65, 105, 105T, 150

Number of way and type:
- 2,3,4,5,6,7,8
- 34: 3/4",
- 12: 1/2"

Sample Code : ZNJ105T.334 - 105 mm diameter, Ceiling Type, 3 x 3/4" Cable Way

